



**BSL Series**

## B-LFP12-7

to replace lead acid GEL or AGM

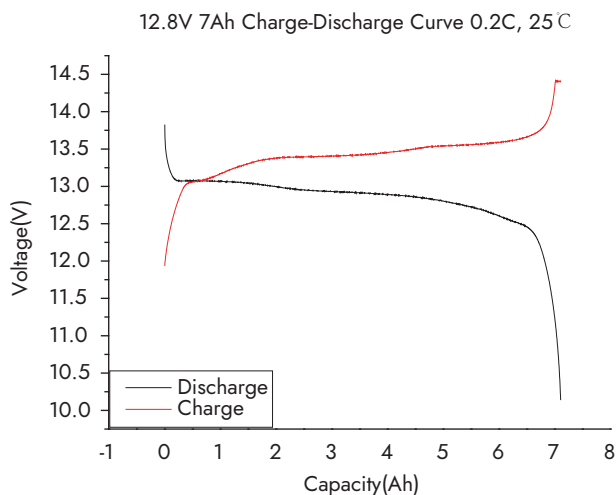


### PRODUCT FEATURES

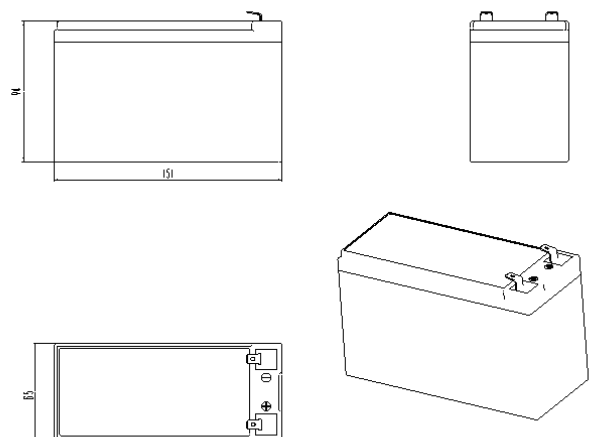
Designed for Marine/RV/UPS/Lawn Mover/Fish Finder/Access Control Power Energy Storage House Alarm Security applications. BSLBATT's 12V 90 Wh lithium batteries last up to four times longer than lead-acid batteries. They are maintenance-free, lightweight, and easy to operate.

Our B-LFP12-7 is equipped with the industry's leading LFP batteries, the safest lithium battery chemistry available today. This makes it ideal for deep-cycle applications.

### CHARGE AND DISCHARGE CURVE



### DIMENSION



## Battery Model

**B-LFP12-7**

|                  |                                 |
|------------------|---------------------------------|
| Nominal Voltage  | 12.8 V                          |
| Typical Capacity | 7 Ah ( At 0.2C discharge rate ) |
| Energy           | 90 Wh                           |

### Discharge

|                 |            |
|-----------------|------------|
| Working Current | 0.5 C      |
| Maximum Current | 1 C        |
| Cut-off Voltage | About 10 V |

### Charge

|                          |   |
|--------------------------|---|
| Voltage                  | 14.4 ± 0.1 V                              |
| Working Current          | 0.5 C                                     |
| Max Charging Current     | ≤1 C                                      |
| Charge Mode              | CC/CV, please use special lithium charger |
| Charging Cut-off Current | About 0.35 A                              |

### Operation Temperature

|           |               |
|-----------|---------------|
| Charge    | 0°C ~ +55°C   |
| Discharge | -20°C ~ +60°C |

### Additional Data

|                              |  |
|------------------------------|--|
| Storage Temperature          | -20°C ~ +45°C  |
| Discharging Inner Resistance | 80 mΩ  |
| Protection Function          | Overcharge, over-discharge, over-current, short circuit and other protection functions |
| Output Mode                  | T2 Terminal  |
| Shell Material               | ABS  |
| Weight                       | About 1.1 Kg ( Single weight )   |
| Dimension ( L*W*H )          | 151*65*94 ( ±2 ) mm  |
| Modules In Series            | 4  |
| Cycle                        | ≥1500, 80%DOD ( 0.2C, 25°C )   |

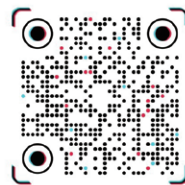
Note: Parameters can be adjusted according to customer requirements



Facebook



Linkedin



Tiktok



Instagram



Youtube



Drop-in Replacement



Tier One, A+ LiFePO4 Cell Composition



5 Years Warranty Guarantee



Smart Hardware & Software Design



Long Service Life



Eco-Friendly