

Lithium-ion Battery

Product Specification



B-LFP12-100 LT

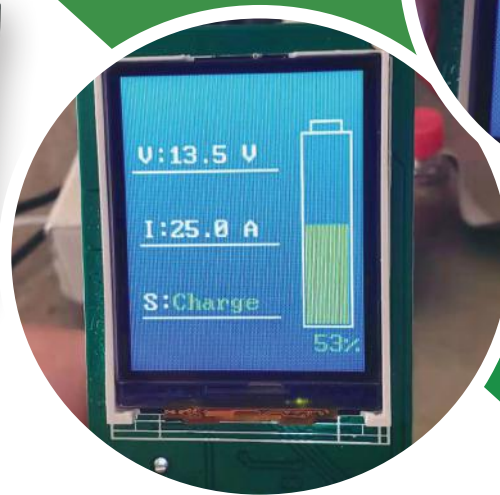
BSLBATT new product of 12.8V 100AH LiFePO₄ battery B-LFP12-100 LT with special ABS plastic battery case create a different replaced lithium battery concept, it combines the advantage of lead acid battery original battery case and the flexible open function of lithium iron battery case, this special model is design to deal with the problems for actual usage, it could help to longer the used life and save cost.

Application:

- Solar energy
- UPS
- RV
- Marine
- Golf cart
- Other storage application

Advantaged features

- » 1. Removable battery case: The top cover is sealed by bolts, make it easy to open for maintenance to change the BMS or cells or any part.
- » 2. Two LCD screen: Showing more details of battery status
 - ✓ Designed Capacity
 - ✓ Voltage
 - ✓ Temperature
 - ✓ Time record
 - ✓ SOC
 - ✓ Battery Status
 - ✓ Current
- » 3. Low temperature protection for charging: Designed with a software BMS to cut off and stop charging automatically when when temperature drop to freezing.
- » 4. Bluetooth options: Help to check more specifications of battery from mobile APP, especially for some application that inconvenient to see the LCD screen after installing.



Wisdom Industrial Power Co., Ltd.

www.lithium-battery-factory.com

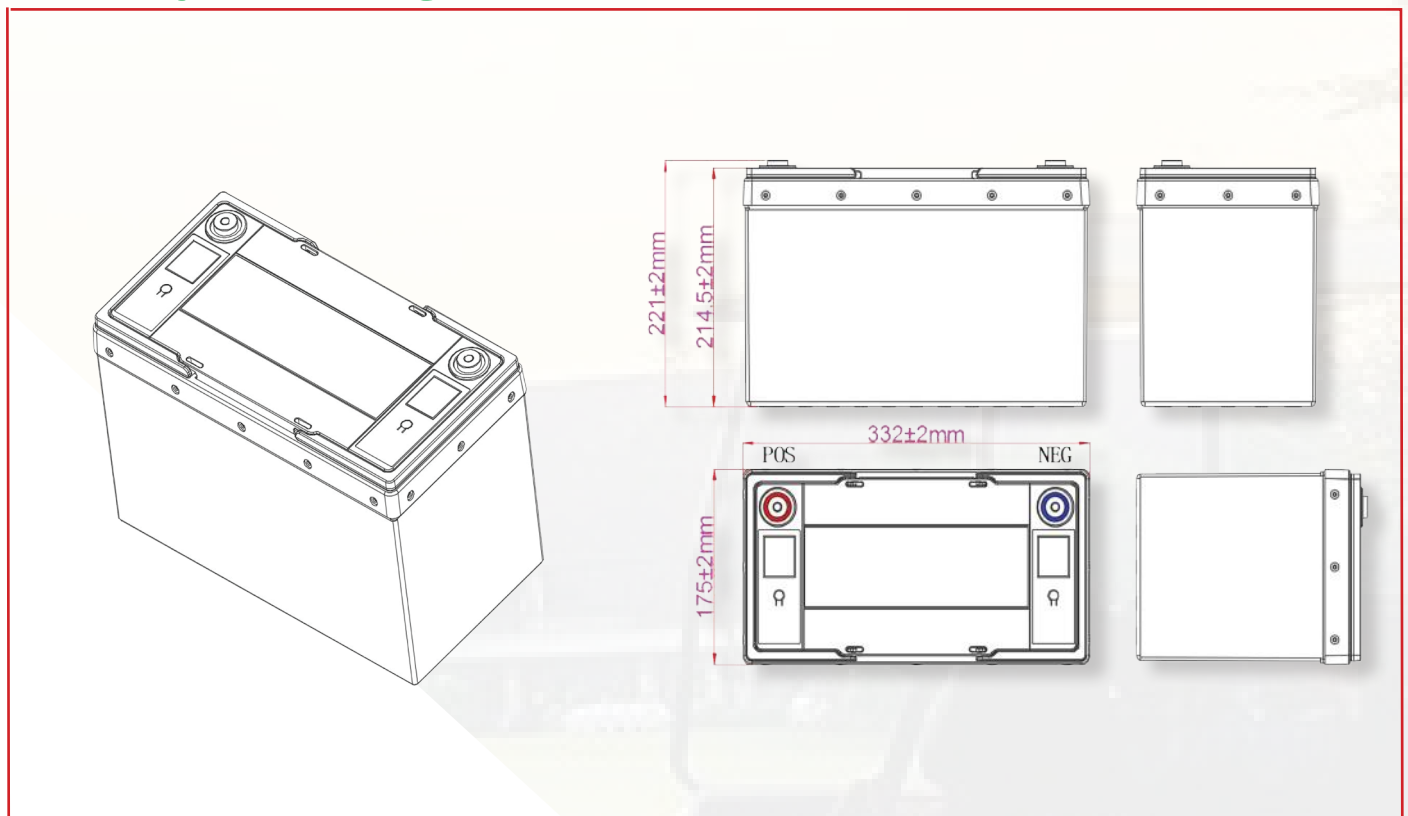
inquiry@bsl-battery.com

Specification

No.	Item	Specification	
01	Pack configuration	4S1P	
02	Cell Model	LF100(3.2V100Ah)	
03	Charge Voltage	14V(3.5 V/Cell)	
04	Discharge cut-off Voltage	10.4V(2.6V/Cell)	
05	Nominal Voltage	12.8V(3.2V/Cell)	
06	Minimum Capacity	98Ah @ 0.2C discharge	
07	Nominal Capacity	100Ah @ 0.2C discharge	
08	Nominal Energy	1280Wh @ 0.2C discharge	
09	Max Charge Current	100A	
10	Max Cont Discharge Current	110A or 160A (Two choice)	
11	Standard Charge	0.2C constant current to 14V, CV to taper current $\leq 0.05C$	
12	Standard Discharge	0.2C constant current to 10.4V	
13	Pack Weight	Appr10.6Kg	
14	Shipment Voltage	12~13V	
15	Operating Temperature	Charge	0°C ~45°C: standard charging method
		Discharge	-10°C ~60°C
16	Storage Temperature	<ul style="list-style-type: none"> • 20 ~ 25°C, the pack shall be able to deliver $\geq 80\%$ rated capacity after 1 yr. of storage; • 20 ~ 45°C, the pack shall be able to deliver $\geq 80\%$ rated capacity after 3 months of storage; • 20 ~ 60°C, the pack shall be able to deliver $\geq 80\%$ rated capacity after 1 month of storage 	



Battery Drawing



BMS Specification

BMS Electrical Characteristics (Ta=25±3°C)

Item	Name	Min	Typical	Max	Units
Voltage	Over charge Detection Voltage	3.7	3.75	3.8	V
	Over charge protection delay time	800	1500	2000	mS
	Over charge Release Voltage	3.4	3.5	3.6	V
	Over discharge Detection Voltage	2.15	2.2	2.25	V
	Over discharge protection delay time	20	30	50	mS
	Over discharge Release Voltage	2.6	2.7	2.8	V
Current	Discharge Over current Detection	250	300	350	A
	Over current protection delay time	250	300	350	mS
	Short circuit protection delay time	400	600	800	uS
	Discharge protection temperature	62	65	68	°C
	Discharge recovery temperature	42	45	48	°C
	Charge protection temperature	62	65	68	°C
	Charge recovery temperature	42	45	48	°C
	Charge&discharge protection temperature delay time	400	500	600	mS
	Short circuit protection	Allow			
	Short circuit protection Release	Short circuit Release, Auto recovery			

Note: The above parameters can be fine-tuned according to customer demand and actual use.