



**BSL Series**

## B-LFP12-300

to replace lead acid GEL or AGM



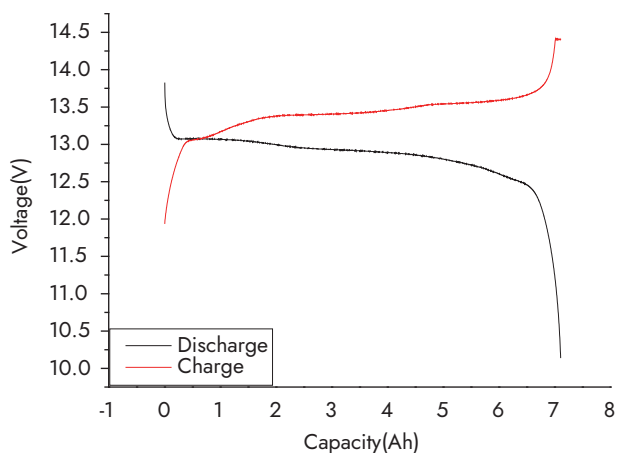
### PRODUCT FEATURES

Designed for Marine/RV/UPS/Lawn Mover/Fish Finder/Access Control Power Energy Storage House Alarm Security applications. BSLBATT's 12V 3840 Wh lithium batteries last up to four times longer than lead-acid batteries. They are maintenance-free, lightweight, and easy to operate.

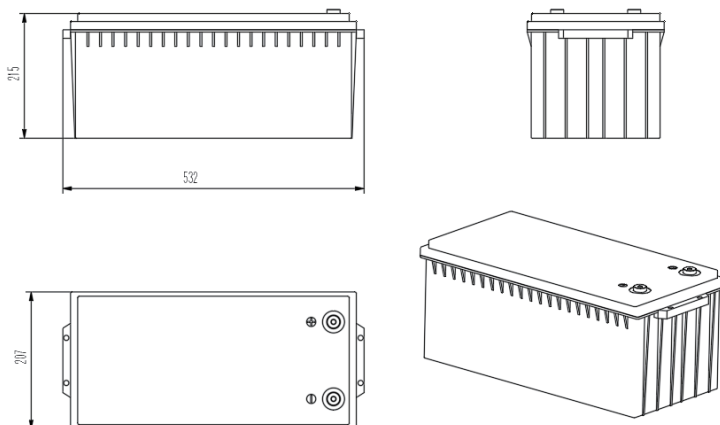
Our B-LFP12-300 is equipped with the industry's leading LFP batteries, the safest lithium battery chemistry available today. This makes it ideal for deep-cycle applications.

### CHARGE AND DISCHARGE CURVE

12.8V 300Ah Charge-Discharge Curve 0.2C, 25 C



### DIMENSION



## Battery Model

**B-LFP12-300**

Nominal Voltage	12.8 V
Typical Capacity	300 ± 5 Ah ( At 0.2C discharge rate )
Energy	3840 Wh

### Discharge

Working Current	75 A
Maximum Continuous Current	200 A
Cut-off Voltage	About 10 V

### Charge

Voltage	14.4 ± 0.2 V
Standard Current	75 A
Max Charging Current	200 A
Charge Mode	CC/CV, please use special lithium charger
Charging Cut-off Current	About 6 A

### Operation Temperature

Charge	0°C ~ +55°C
Discharge	-20°C ~ +60°C

### Additional Data

Storage Temperature	-20°C ~ +45°C
Discharging Inner Resistance	≤ 60 mΩ
Protection Function	Overcharge, over-discharge, over-current, short circuit and other protection functions
Output Mode	M8 Terminal
Shell Material	ABS
Weight	Approx 25 Kg ( Single weight )
Dimension ( L*W*H )	532*207*215 ( ±2 ) mm
Modules In Series	4
Cycle	≥3500, 80%DOD ( 0.2C, 25°C )

Note: Parameters can be adjusted according to customer requirements



Facebook



Linkedin



Tiktok



Instagram



Youtube



Drop-in Replacement



Tier One, A+ LiFePO4 Cell Composition



5 Years Warranty Guarantee



Smart Hardware & Software Design



Long Service Life



Eco-Friendly